

Mazda

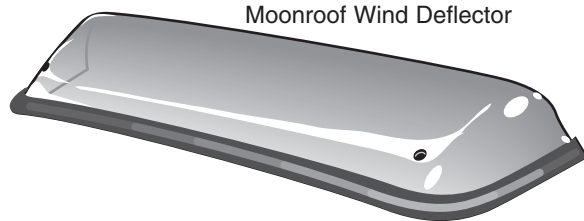
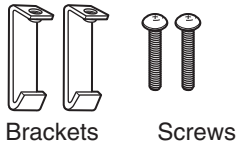
GENUINE ACCESSORIES
INSTALLATION INSTRUCTIONS

PART NUMBER:
0000-89-K06 (PORT)
0000-8P-K06 (DEALER)

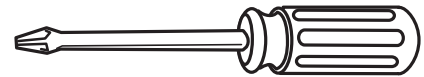
MOONROOF WIND DEFLECTOR

APPLICABLE MODEL:
2004 > RX8

KIT CONTENTS



TOOLS REQUIRED



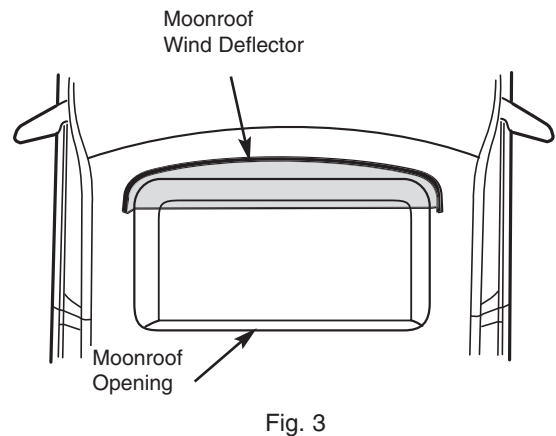
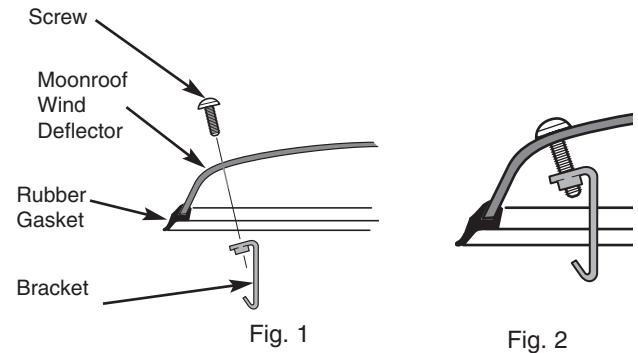
No. 2 Phillips Screw Driver

0 Before Installation

1. Clean the area around vehicle moonroof opening prior to installation of the moonroof wind deflector

1 Installation

1. Loosely assemble brackets to moonroof wind deflector using supplied screws and brackets. Leave screws as loose as possible, engaging only two to three threads. (Fig. 1 & 2)
2. Be sure rubber gasket is seated properly in its groove along the entire front edge of deflector.
3. Open moonroof and turn off the ignition.
4. Position the moonroof wind deflector along the front of the moonroof opening. (Fig. 3).



5. Hook a bracket under the edge of the sheet metal in the front corner of the moonroof opening on each side of the vehicle. Do not tighten down screws at this point. (Fig 4 & 5)
6. To properly locate the moonroof wind deflector:
 - a. The rubber gasket should be positioned forward of the front edge of the moonroof opening. Do not allow gasket to hang into opening.
 - b. The moonroof wind deflector should be centered side to side.
 - c. The brackets should be centered under the mounting holes in the deflector.
7. Carefully tighten down screws making sure that the deflector does not shift position. Tighten down screws to firmly secure the deflector into position. Screw heads should be flush to deflector. Please be sure not to over tighten.
8. Check to make sure the rubber gasket is seated to the roof of the vehicle all the way around the deflector. Additionally, check to make sure gasket is not folded over at any point along its edge.
9. Tighten screws if necessary to achieve a good seal.
10. Turn on ignition and close moonroof. **CAUTION: Make sure there is no interference with the pop-up deflector.**

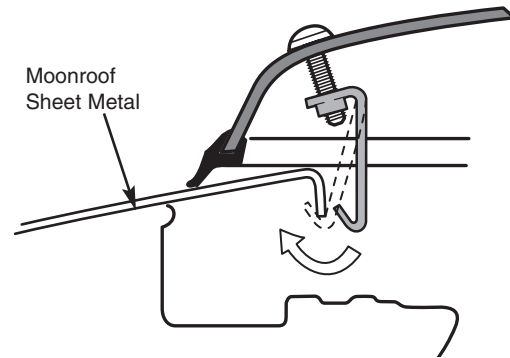


Fig. 4

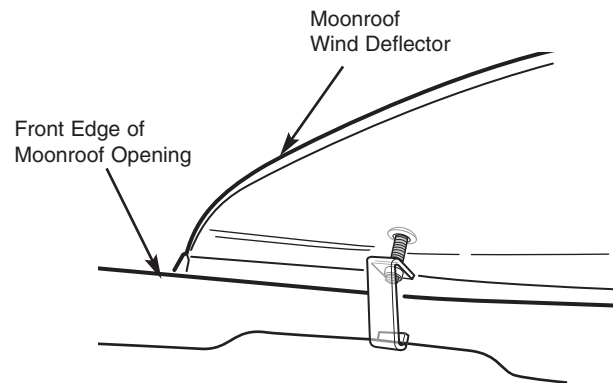


Fig. 5

2 Cleaning Instructions

1. Use mild soap to clean the moonroof wind deflector. Do not use ammonia or glass cleaners containing ammonia. This will damage the surface finish of the moonroof wind deflector.